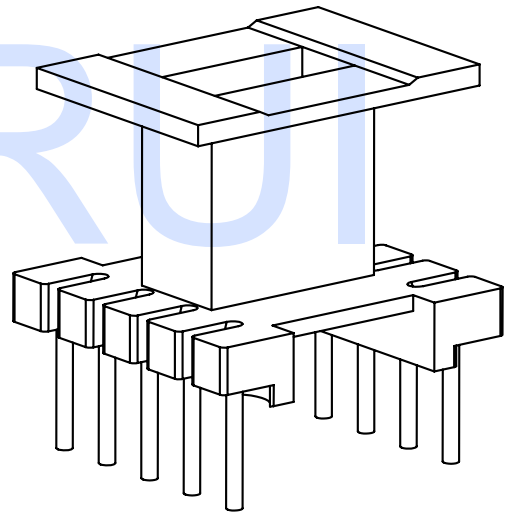
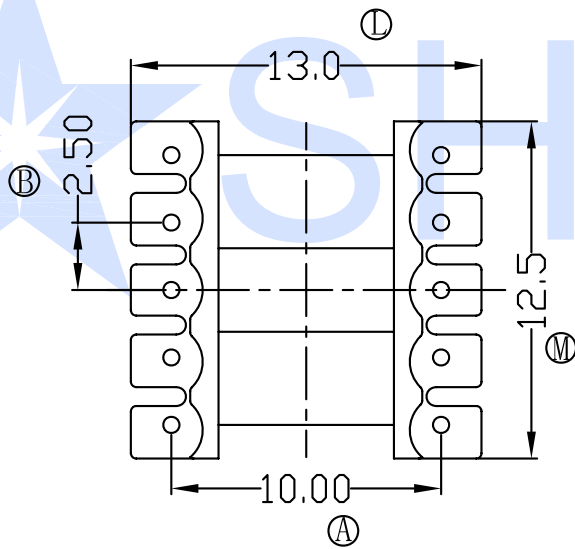
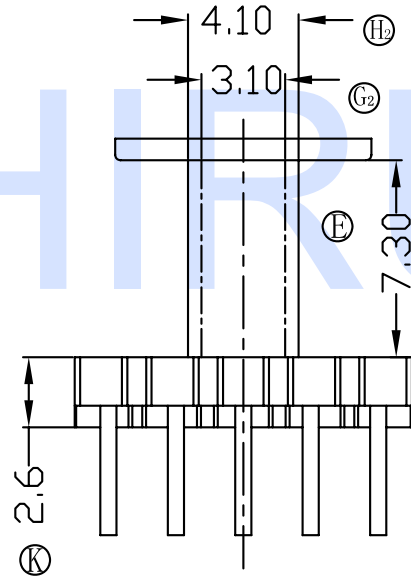
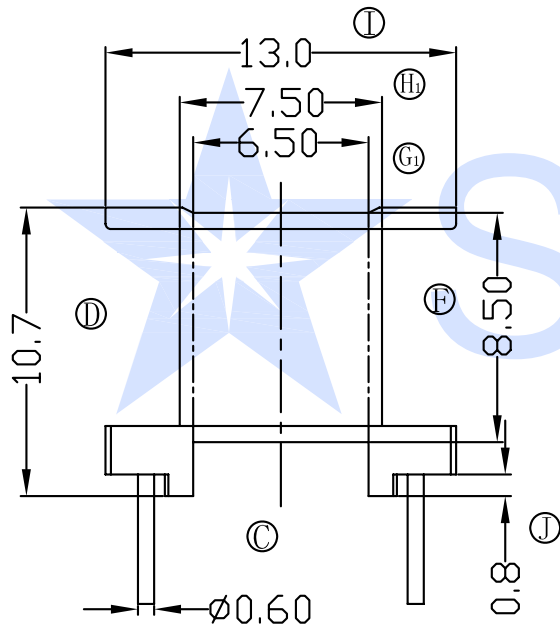


P/N

SR-EI 1301



**Hefei Shirui Electronic Technology Co., Ltd**

TEL: (0086) 55165232650

sales@shiruitech.com

www.shiruitech.com

SR NO.

SR-EI 1301

MATERIAL:

PHENOLIC

UNIT: mm

TOLERANCE

DRN.

WILL H

MODEL NAME:

EI13-10P-1S V

UL REC: UL 94V-0

0 L 4  $\pm 0.10$

CHD.

IRINA LEE

4 L 16  $\pm 0.20$

ANGLE:  $\pm^\circ$

16 L 64  $\pm 0.30$

ISSD.

JAMES HU

PIN PITCH  $\pm 0.05$

